



SPECIAL PROGRAM FOR TRADITIONAL FULL KEEL BOATS WITH SMALL APERTURES FROM VARIPROP USA

Do you have a full-keel traditional boat with small aperture in the rudder, or in the deadwood, or partly in both?

Because VariProp has the shortest hub of any feathering prop with all our features - and because the hub does not protrude beyond the blades - we can almost certainly provide a VariProp to fit your boat.

Please enter as much information as you can, using the drawing below as a general guide.

If your keel/rudder/aperture configuration is very different, please attach a sketch or better yet a full size tracing of the aperture, and we will work with you.

We also offer full scale **VARIPROP TEMPLATES** that you can use to actually "Trial-Fit" a VARIPROP in your aperture. Please contact us for this service.

[Click here for a printable pdf of this form if you prefer faxing.](#)

Please enter your dimensions in INCHES or MM

Inches

Millimeters

A =

B =

C =

D =

E =

F =

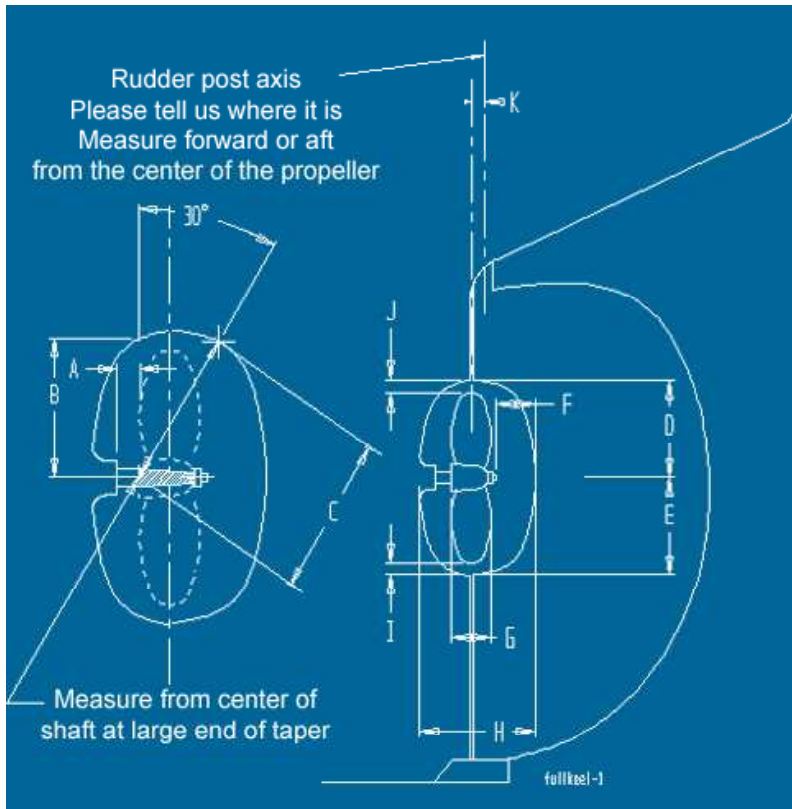
G =

H =

I =

J =

K =



email address:

Comments

VariProp USA - 70 Water Street, Thomaston, ME 04861



Phone: 207 354-0804 FAX 207 354-0387



[Home](#) | [VariProp Photos](#) | [VariProp Info](#) | [VariProp Specifications](#)
[VariProp Small Aperture Program](#) | [VP Letters from Owners](#) | [Contact Us](#)
[VariFold Photos](#) | [VariFold Info](#) | [VariFold Specifications](#) | [VF Letters from Owners](#) | [Contact Us](#)